

Light, portable compact machine. Universal for cutting and deburring pipes. For trade and industry. For the building site and the workshop. Li-Ion 22V Technology. For battery and corded operation.

| | |
|---|---------------------------------|
| Stainless steel pipes of pressfitting systems, carbon steel, copper | Ø 8–108 mm |
| Steel pipes EN 10255 (DIN 2440) | DN 6–100 Ø ½–4", Ø 10–115 mm |
| Cast iron pipes (SML) EN 877 (DIN 19522) | DN 50–100 |
| Plastic pipes SDR 11 | |
| Wall thickness $s \leq 10$ mm | Ø 10–110 mm Ø ½–4" |
| Multilayer composite pipes | Ø 10–110 mm |

REMS Akku-Cento 22V – Mobile cutting and deburring up to Ø 115 mm. Super fast. Right angled. Chip-free. No outer burr. Dry cutting. Li-Ion 22V Technology. Li-Ion 21.6V, 5.0Ah battery, for approx. 280 stainless steel pipe sections of the Ø 22 mm press fitting systems with one battery charge.

Universal for many pipe types.

Ideal for pressfitting systems

Right angled cutting. according to requirements

Chip-free. no chips in piping system

No outer burr. no damage to O-ring by outer burr

Dry. no damage to the O-ring by coolants-lubricants.

Fast. prevents degradation of pipe material through overheating.

Design

Compact, mobile cordless pipe cutting machine for fast, right angled, cutting with no outer burr. Handy and light, drive unit with battery only 17.6 kg. Stable, distortion-free cast construction for right angled cutting. Easy pipe-cutting through specially designed cutter wheel. Powered cutter wheel and linear advance for fast cutting (Patent EP 1 782 904). Power saving feed-in through easy to grip, proven advance-lever and needle bearing mounted machine screw spindle. Cutter wheel protected – as movement restricted to before any contact with the rollers. Practical handle for easy transport. Connection for driving outer/inner pipe deburrer REMS REG 10–54 E. For workbench, stand or wheel stand as an accessory, for easy transport, optimum working height and stable positioning. An alternative feed lever is available for operating the drive unit on the floor, see accessories.

Running rollers

4 strong hardened precision tubular steel running rollers on ball bearings for low-friction turning of the pipes Ø 22–115 mm, Ø ¼–4" to be cut, trapezoidally arranged, replaceable. No setting work required in the whole working range Ø 22–115 mm. Stainless tubular steel rollers as accessory. Cutting of pipes Ø 8–22 mm by placing two pipe sections Ø 28 x 220 mm on the running rollers.

Drive

Robust gear, precisely mounted in roller and needle bearings, maintenance-free. Powerful 21.6 V battery motor, e.g. stainless steel pipe Ø 54 mm in just 7 s. Ideal speed 84 rpm for optimum cutting speed of the pipes. Machine status check with overload protection of the drive unit against too high currents, with overheating protection by motor temperature monitoring (NTC), with electronic battery charging status check with charging level indication by a 2-coloured green/red LED. Safety foot-switch with emergency stop.

Battery or mains operation

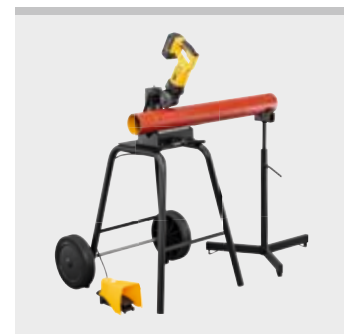
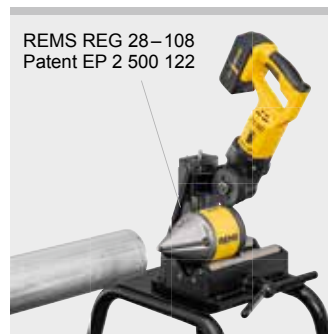
Li-Ion 22V Technology. Highly resistant Li-Ion 21.6V battery with 5.0 Ah or 9.0 Ah capacity, for long service life. Light and powerful. Li-Ion 21.6V, 5.0Ah battery for approx. 280 stainless steel pipe sections, 9.0Ah for approx. 520 stainless steel pipe sections of the Ø 22 mm press fitting systems with one battery charge. Graduated charging state display with coloured LED. Operating temperature range – 10 to + 60 °C. No memory effect for maximum battery power. Rapid charger Li-Ion 100–240V, 90W. Rapid charger Li-Ion 100–240V, 290W, for shorter charging times, as accessory. 220–240V/21.6V, 40A voltage supply for mains operation instead of Li-Ion battery 21.6 V, as accessory.

REMS cutter wheels

Top German quality. Cutter wheels specially designed to the performance capability of the REMS Akku-Cento 22V and for numerous pipe materials with variable cutting geometries for fast cutting with no outer burr. Specially hardened, from proven, through-hardened REMS die-steel, ensuring long service life.

Pipe support

Pipe support, height adjustable, for pipes Ø 40–110 mm, Ø 1½–4", with operation of the drive unit with feed lever on the floor. Easy moving of the material in all directions when turning, pulling and pushing by four stainless steel balls mounted in a rust-protected housing. Safe guiding of long pipes by use of several pipe supports.



Tested by electrosuisse >>>

German Quality Product



Info

REMS pipe deburrer

Inner pipe deburrer REMS REG 28–108 for pipes Ø 28–108 mm, Ø ¾–4", with circulating friction element on the deburrer housing (**Patent EP 2 500 122**) for electrical rotary drive by the cutting wheel of the REMS Cento, REMS Akku-Cento 22V pipe cutting machine, as an accessory. Outer/inner pipe deburrer REMS REG 10–54 E for pipes Ø 10–54 mm, Ø ½–2¼", for electric drive with the REMS Cento, REMS Akku-Cento 22V pipe cutting machines, see page 97.

Marking device

Marking device for marking the insertion depth for fittings on pipes, as an accessory.

Supply format

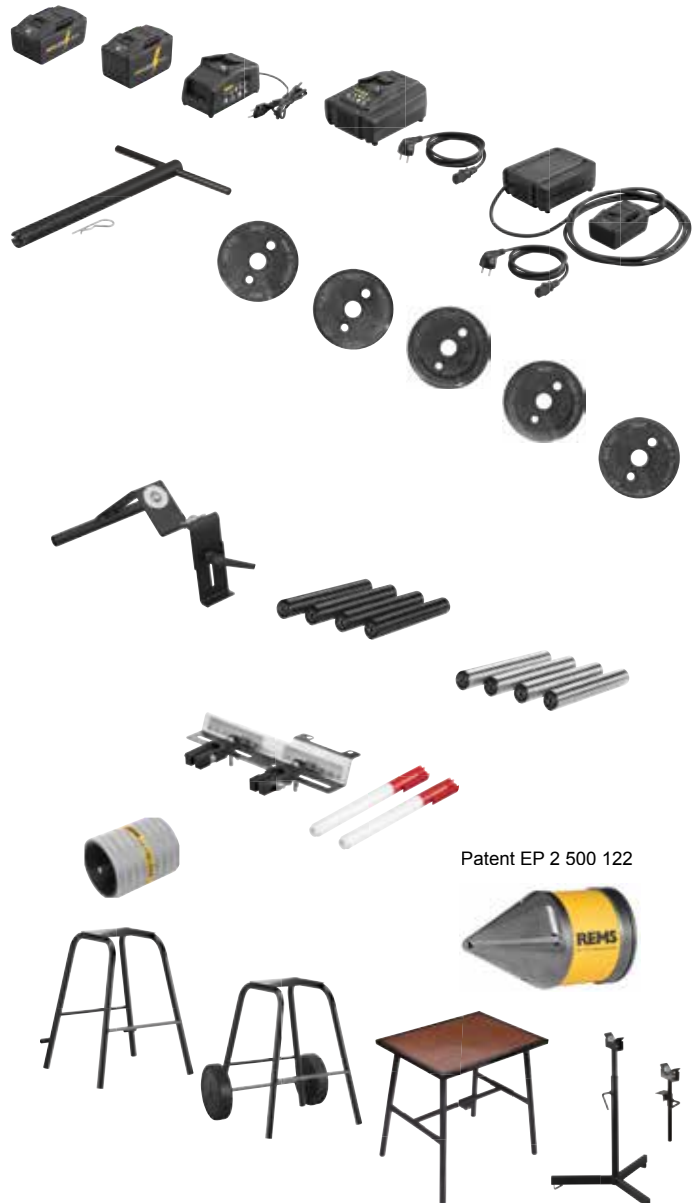
REMS Akku-Cento 22V Basic. Cordless pipe cutting machine for fast, right angled, cutting of pipes with no outer burr Ø 8–115 mm. For pipes of the press fitting systems made from stainless steel, carbon steel, copper, Ø 8–108 mm. For steel pipes EN 10255 (DIN 2440) DN 6–100, Ø ½–4", Ø 10–115 mm, cast pipes (SML) EN 877 (DIN 19522) DN 50–100, plastic tubes SDR 11, wall thickness $s \leq 10$ mm, Ø 10–110 mm, Ø ¾–4", composite tubes Ø 10–110 mm. With maintenance-free gear, powerful 21.6 V battery motor. Speed 84 rpm. Machine status check with overload protection, temperature monitoring, battery charging status check. Rollers in hardened precision steel pipe for pipes Ø 22–115 mm, Ø ¾–4". Safety foot-switch. Li-Ion 21.6V, 5.0Ah battery, Li-Ion 100–240V, 50–60 Hz, 90W rapid charger. Ring spanner. Without cutter wheel. For workbench, stand or wheel stand. In a carton.

| | |
|--|----------|
| | Art.-No. |
| | 845002 |

Other voltages on request.

Accessories

| Description | Art.-No. |
|---|----------|
| Battery Li-Ion 21.6V, 5.0Ah | 571581 |
| Battery Li-Ion 21.6V, 9.0Ah | 571583 |
| Rapid charger Li-Ion 100–240V, 50–60 Hz, 90W | 571585 |
| Rapid charger Li-Ion 100–240V, 50–60 Hz, 290W | 571587 |
| Voltage supply 220–240V/21.6V, 50–60 Hz, 40A , for mains operation instead of battery Li-Ion 21.6V | 571578 |
| Feed lever with spring plug for operating the drive unit on the floor. | 845218 |
| REMS cutter wheel Cu-INOX for stainless steel pipes of pressfitting systems, copper, carbon steel | 845050 |
| REMS cutter wheel Cu specially for pipes of copper pressfitting systems | 845053 |
| REMS cutter wheel St for steel pipes, cast iron pipes (SML) | 845052 |
| REMS cutter wheel V for plastic and multilayer composite pipes, wall thickness $s \leq 10$ mm | 845051 |
| REMS cutting wheel C-SF especially for pipes of the pressfitting systems and push fitting systems made from carbon steel, simultaneously produces a chamfer. | 845055 |
| Pipe support 1 , height adjustable, for pipes Ø 40–110 mm, Ø 1½–4", with operation of the drive unit with feed lever on the floor | 845220 |
| Hardened, precision tubular steel rollers (pack of 4) | 845118 |
| Stainless tubular steel INOX rollers (pack of 4) | 845110 |
| Marking device for marking the insertion depth for fittings on pipes. For REMS Cento, REMS Akku-Cento 22V. | 845530 |
| REMS REG 10–54 E , outer/inner pipe deburrer, see page 97 | |
| REMS REG 28–108 , inner pipe deburrer for pipes Ø 28–108 mm, Ø ¾–4", for electric rotary drive by the cutting wheel of the REMS Cento, REMS Akku-Cento 22V pipe cutting machine (with REMS cutting wheel Art. No. 845050 or 845053). | 113840 |
| Stand | 849315 |
| Wheel stand | 849310 |
| REMS Jumbo , folding workbenches, see page 103. | |
| REMS Herkules , material supports, see page 104. | |



Patent EP 2 500 122