

## Teileverzeichnis

Aktueller Stand  
siehe [www.rems.de](http://www.rems.de)  
weitere Teile auf Anfrage

## Spare parts list

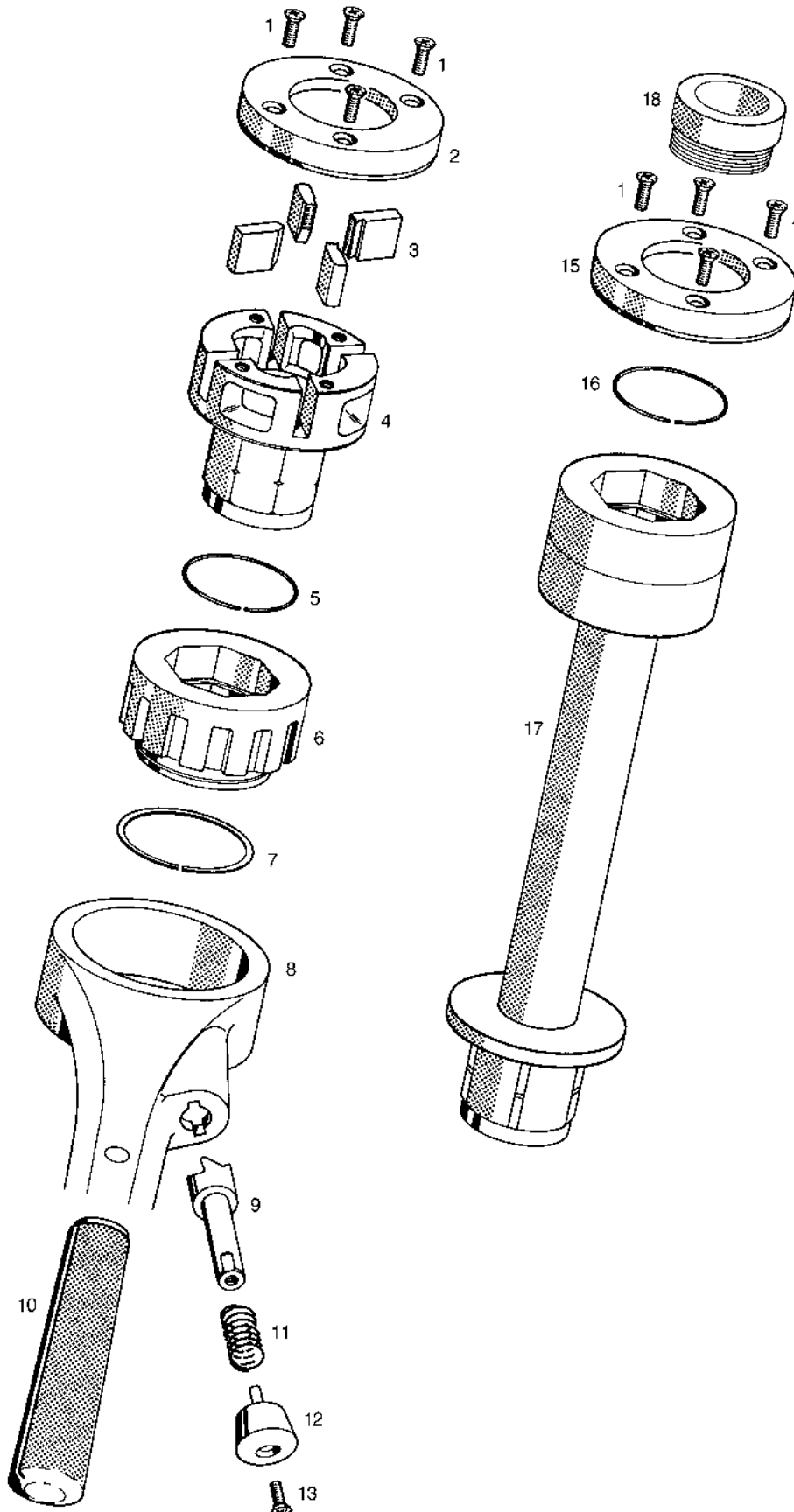
Latest version  
see [www.rems.de](http://www.rems.de)  
other parts on request

## Liste des pièces

Situation actuelle  
voir [www.rems.de](http://www.rems.de)  
autres pièces sur demande

## Elenco dei pezzi

Ultimo aggiornamento  
vedi [www.rems.de](http://www.rems.de)  
altri ricambi su richiesta



# REMS Eva

	deu	eng	fra	ita	
1	Senkschraube 1/8" – 3/4" M 16 – 25	Socket screw 1/8" – 3/4" M 16 – 25	Vis à tête bombée fraisée 1/8" – 3/4" M 16 – 25	Vite a testa svasata con calotta 1/8" – 3/4" M 16 – 25	<a href="#">083176</a>
1	Senkschraube 1" – 2" M 32 – 50	Socket screw 1" – 2" M 32 – 50	Vis à tête bombée fraisée 1" – 2" M 32 – 50	Vite a testa svasata con calotta 1" – 2" M 32 – 50	<a href="#">083168</a>
	Deckel R 1/8" R 1/4" R 3/8" R 1/2" R 3/4" R 1" R 1 1/4" R 1 1/2" R 2" NPT 1/8" NPT 1/4" 2 NPT 3/8" NPT 1/2" NPT 3/4" NPT 1" NPT 1 1/4" NPT 1 1/2" NPT 2" M 16 x 1,5 M 20 x 1,5 M 25 x 1,5 M 32 x 1,5 M 40 x 1,5 M 50 x 1,5	Cover R 1/8" R 1/4" R 3/8" R 1/2" R 3/4" R 1" R 1 1/4" R 1 1/2" R 2" NPT 1/8" NPT 1/4" NPT 3/8" NPT 1/2" NPT 3/4" NPT 1" NPT 1 1/4" NPT 1 1/2" NPT 2" M 16 x 1,5 M 20 x 1,5 M 25 x 1,5 M 32 x 1,5 M 40 x 1,5 M 50 x 1,5	Couvercle R 1/8" R 1/4" R 3/8" R 1/2" R 3/4" R 1" R 1 1/4" R 1 1/2" R 2" NPT 1/8" NPT 1/4" NPT 3/8" NPT 1/2" NPT 3/4" NPT 1" NPT 1 1/4" NPT 1 1/2" NPT 2" M 16 x 1,5 M 20 x 1,5 M 25 x 1,5 M 32 x 1,5 M 40 x 1,5 M 50 x 1,5	Coperchio R 1/8" R 1/4" R 3/8" R 1/2" R 3/4" R 1" R 1 1/4" R 1 1/2" R 2" NPT 1/8" NPT 1/4" NPT 3/8" NPT 1/2" NPT 3/4" NPT 1" NPT 1 1/4" NPT 1 1/2" NPT 2" M 16 x 1,5 M 20 x 1,5 M 25 x 1,5 M 32 x 1,5 M 40 x 1,5 M 50 x 1,5	<a href="#">521003R</a> <a href="#">521013R</a> <a href="#">521023R</a> <a href="#">521033R</a> <a href="#">521043R</a> <a href="#">521053R</a> <a href="#">521063R</a> <a href="#">521073R</a> <a href="#">521083R</a> <a href="#">521203R</a> <a href="#">521213R</a> <a href="#">521223</a> <a href="#">521233</a> <a href="#">521243</a> <a href="#">521253</a> <a href="#">521263</a> <a href="#">521273</a> <a href="#">521283</a> <a href="#">521303R</a> <a href="#">521313R</a> <a href="#">521323R</a> <a href="#">521333R</a> <a href="#">521343R</a> <a href="#">521353R</a>
3	Schneidbacken siehe Preisliste	Threading dies see price list	Peignes voir liste de prix	Cuscinetti di filiera vedi listino prezzi	
4	Schneidkopfkörper 1/8" 1/4" 3/8" 1/2" 3/4" 1" 1 1/4" 1 1/2" 2" M 16 x 1,5 M 20 x 1,5 M 25 x 1,5 M 32 x 1,5 M 40 x 1,5 M 50 x 1,5	Die head corpus 1/8" 1/4" 3/8" 1/2" 3/4" 1" 1 1/4" 1 1/2" 2" M 16 x 1,5 M 20 x 1,5 M 25 x 1,5 M 32 x 1,5 M 40 x 1,5 M 50 x 1,5	Corps de filière 1/8" 1/4" 3/8" 1/2" 3/4" 1" 1 1/4" 1 1/2" 2" M 16 x 1,5 M 20 x 1,5 M 25 x 1,5 M 32 x 1,5 M 40 x 1,5 M 50 x 1,5	Corpo filiera 1/8" 1/4" 3/8" 1/2" 3/4" 1" 1 1/4" 1 1/2" 2" M 16 x 1,5 M 20 x 1,5 M 25 x 1,5 M 32 x 1,5 M 40 x 1,5 M 50 x 1,5	<a href="#">521001</a> <a href="#">521011R</a> <a href="#">521021R</a> <a href="#">521031R</a> <a href="#">521041R</a> <a href="#">521051R</a> <a href="#">521061R</a> <a href="#">521071R</a> <a href="#">521081R</a> <a href="#">521301</a> <a href="#">521311</a> <a href="#">521321</a> <a href="#">521331</a> <a href="#">521341</a> <a href="#">521351</a>
—	Ratschenhebel 1/8" – 2" Pos. 5 – 13	Ratchet lever 1/8" – 2" Pos. 5 – 13	Levier à cliquet 1/8" – 2" Pos. 5 – 13	Leva a cricco 1/8" – 2" Pos. 5 – 13	<a href="#">522000</a>
—	Rastring kompl. Pos. 5 und 6	Stop ring compl. Pos. 5 and 6	Bague d'encliquetage compl. Pos. 5 et 6	Anello d'arresto compl. Pos. 5 e 6	<a href="#">522005R</a>
—	Rastbolzen kompl. Pos. 9, 11 – 13	Stop bolt compl. Pos. 9, 11 – 13	Boulon d'encliquetage compl. Pos. 9, 11 – 13	Perno d'arresto compl. Pos. 9, 11 – 13	<a href="#">522014</a>
5	Ringfeder Standard	Annular spring standard	Ressort annulaire standard	Molla anulare standard	<a href="#">532006</a>
7	Sicherungsring	Retaining ring	Circlip	Anello di sicurezza	<a href="#">522018</a>
10	Griff	Handle	Poignée	Manico	<a href="#">522007</a>
11	Druckfeder	Pressure spring	Ressort de compression	Molla di compressione	<a href="#">522010</a>
12	Knopf	Knob	Bouton	Pomello	<a href="#">522012</a>
13	Senkschraube	Socket screw	Vis à tête bombée fraisée	Vite a testa svasata con calotta	<a href="#">083176</a>

## REMS Eva

	deu	eng	fra	ita	
	Deckel Schneidkopf S	Cover die head S	Couvercle filière S	Coperchio filiera S	
	R 3/8"	R 3/8"	R 3/8"	R 3/8"	<a href="#">521028R</a>
15	R 1/2"	R 1/2"	R 1/2"	R 1/2"	<a href="#">521038R</a>
	R 3/4"	R 3/4"	R 3/4"	R 3/4"	<a href="#">521048R</a>
	R 1"	R 1"	R 1"	R 1"	<a href="#">521058R</a>
	R 1 1/4"	R 1 1/4"	R 1 1/4"	R 1 1/4"	<a href="#">521068</a>
16	Ringfeder	Annular spring	Ressort annulaire	Molla anulare	<a href="#">522057</a>
17	Verlängerung	Extension	Rallonge	Prolunga	<a href="#">522051</a>
	Führungsbuchse eva	Guiding bush eva	Douille de guidage eva	Boccola guida eva	
	R 3/8"	R 3/8"	R 3/8"	R 3/8"	<a href="#">521027</a>
18	R 1/2"	R 1/2"	R 1/2"	R 1/2"	<a href="#">521037</a>
	R 3/4"	R 3/4"	R 3/4"	R 3/4"	<a href="#">521047</a>
	R 1"	R 1"	R 1"	R 1"	<a href="#">521057</a>
	R 1 1/4"	R 1 1/4"	R 1 1/4"	R 1 1/4"	<a href="#">521067</a>