

REMS Hydro-Swing

Teilverzeichnis

Aktueller Stand
siehe www.rems.de
weitere Teile auf Anfrage

Spare parts list

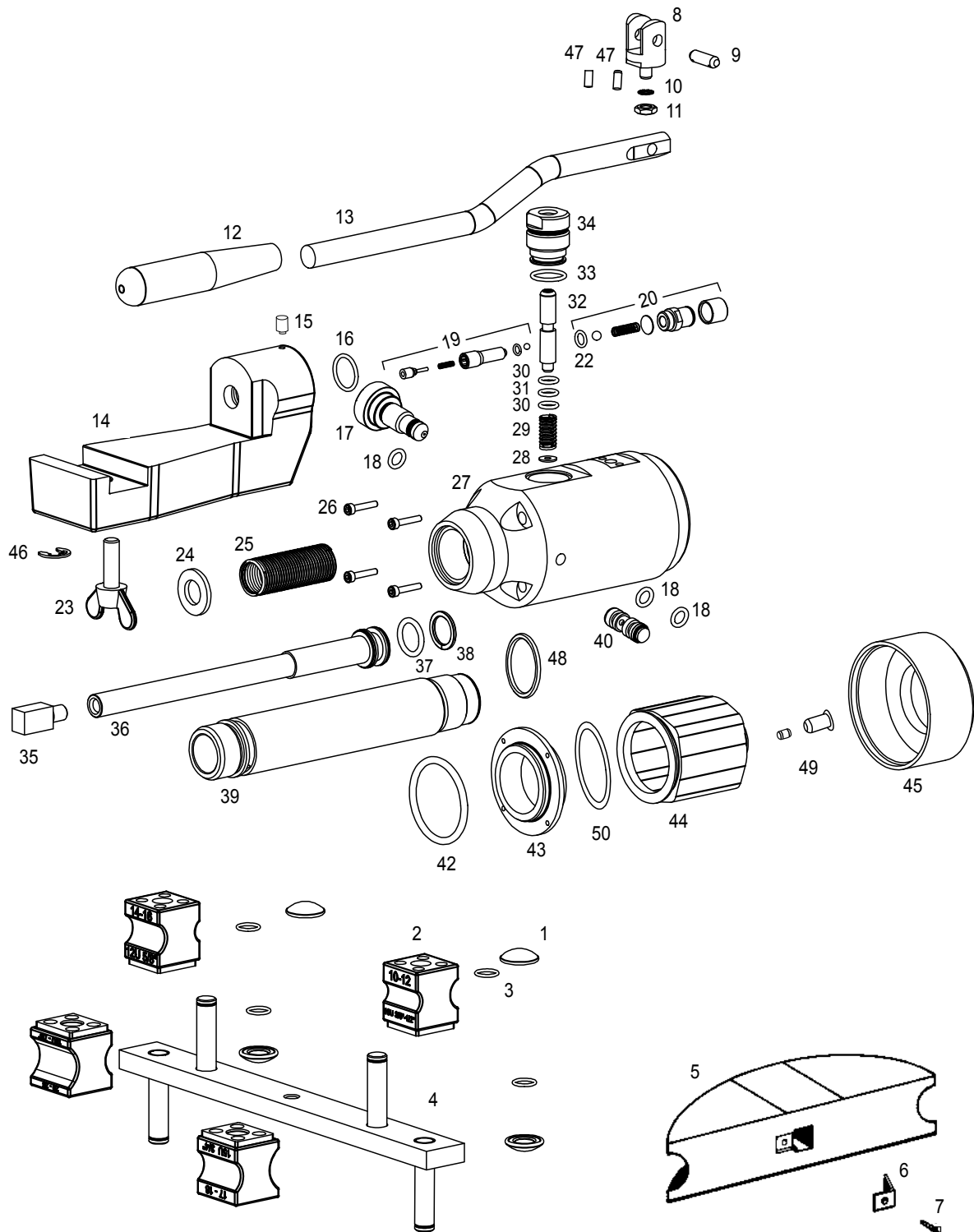
Latest version
see www.rems.de
other parts on request

Liste des pièces

Situation actuelle
voir www.rems.de
autres pièces sur demande

Elenco dei pezzi

Ultimo aggiornamento
vedi www.rems.de
altri ricambi su richiesta



REMS Hydro-Swing

	deu	eng	fra	ita	
1	Schnellbefestiger	Quick fixing device	Attache rapide	Fissaggio rapido	059075
2	Gleitstück 10–16, 3/8"–5/8"	Sliding piece 10–16, 3/8"–5/8"	Pièce coulissante 10–16, 3/8"–5/8"	Pezzo scorrevole 10–16, 3/8"–5/8"	153126
3	O-Ring	Locking ring	Joint torique	Guarnizione O-Ring	060240
—	Gleitstückträger 10–16, 3/8"–5/8" Pos. 1–4	Crossbar 10–16, 3/8"–5/8" Pos. 1–4	Contreforme 10–16, 3/8"–5/8" Pos. 1–4	Contromatrice 10–16, 3/8"–5/8" Pos. 1–4	153501R
—	Rücklaufventil komplett Pos. 17–18 (bis 07/2023)	Return valve compl. Pos. 17–18 (up to 07/2023)	Soupape retour compl. Pos. 17–18 (jusqu'au 07/2023)	Valvola ritorno compl. Pos. 17–18 (fino a 07/2023)	153559R
—	Rücklaufventil komplett Pos. 17–18 (ab 07/2023)	Return valve compl. Pos. 17–18 (from 07/2023)	Soupape retour compl. Pos. 17–18 (à partir du 07/2023)	Valvola ritorno compl. Pos. 17–18 (da 07/2023)	153567R
—	Gleitstückträger 32	Crossbar 32	Contreforme 32	Contromatrice 32	153115R
—	Biegesegment Pos. 5–7 siehe Preisliste	Form Pos. 5–7 see price list	Forme Pos. 5–7 voir liste de prix	Matrice Pos. 5–7 vedi listino prezzi	
9	Spiralspannstift	Spiral pin	Goupille spiralée	Spina elastica	088223
—	Hebel + Handgriff komplett Pos. 12+13	Lever + Handle compl. Pos. 12+13	Lever + Poignée compl. Pos. 12+13	Leva + Impugnatura compl. Pos. 12+13	153565R
12	Handgriff	Handle	Poignée	Impugnatura	071097
14	Gehäuse	Housing	Carcasse	Carcassa	153545R
16	O-Ring	Locking ring	Joint torique	Guarnizione O-Ring	060003
18	O-Ring	Locking ring	Joint torique	Guarnizione O-Ring	060356
19	Rückschlagventil	Check valve	Soupape retour	Valvola	578278R
20	Ventil Saugseite	Valve pressure side	Crépine	Valvola lato aspirazione	578280R
23	Flügelgriff	Wing handle	Poignée à oreilles	Manopola a farfalla	083203
—	ET-Set Pumpenkolben Pos. 28–33	Spare kit for pump piston Pos. 28–33	Set-PD piston de pompe Pos. 28–33	Set ricambi pistone a pompa Pos. 28–33	153566R
27	Hydraulikblock	Hydraulic block	Bloc hydraulique	Blocco idraulico	153547R
29	Druckfeder	Pressure spring	Ressort de compression	Molla di compressione	153556R
34	Führungsbuchse	Guiding bush	Douille de guidage	Boccola guida	153549R
35	Werkzeugaufnahme	Tool holder	Embout porte-outil	Alloggiamento utensile	153558R
37	O-Ring	Locking ring	Joint torique	Guarnizione O-Ring	060005
38	Stützring	Back-up ring	Bague d'appui	Rondella di appoggio	153557R
—	Vorschubkolben komplett Pos. 35–38	Feed lever compl. Pos. 35–38	Lever d'alimentation compl. Pos. 35–38	Leva di alimentazione compl. Pos. 35–38	153561R
39	Zylinder	Cylinder	Cylindre	Cilindro	153544R
42	O-Ring	Locking ring	Joint torique	Guarnizione O-Ring	060277
43	Befestigungsring	Fastening ring	Bague de fixation	Anello di fissaggio	153548R
44	Ausgleichsbehälter	Compensating reservoir	Reservoir de compensation	Contenitore di compensazione	571212ROH
45	Deckel, schwarz RAL 9005	Cover, black RAL 9005	Couvercle, noir RAL 9005	Coperchio, nero RAL 9005	153554R
48	O-Ring	Locking ring	Joint torique	Guarnizione O-Ring	060306
49	Stopfen mit Stabmagnet	Plug with magnet	Bouchon avec magnet	Tappo con calamita	571249R
50	O-Ring	Locking ring	Joint torique	Guarnizione O-Ring	060015