

Teileverzeichnis

Aktueller Stand
siehe www.rems.de
weitere Teile auf Anfrage

Spare parts list

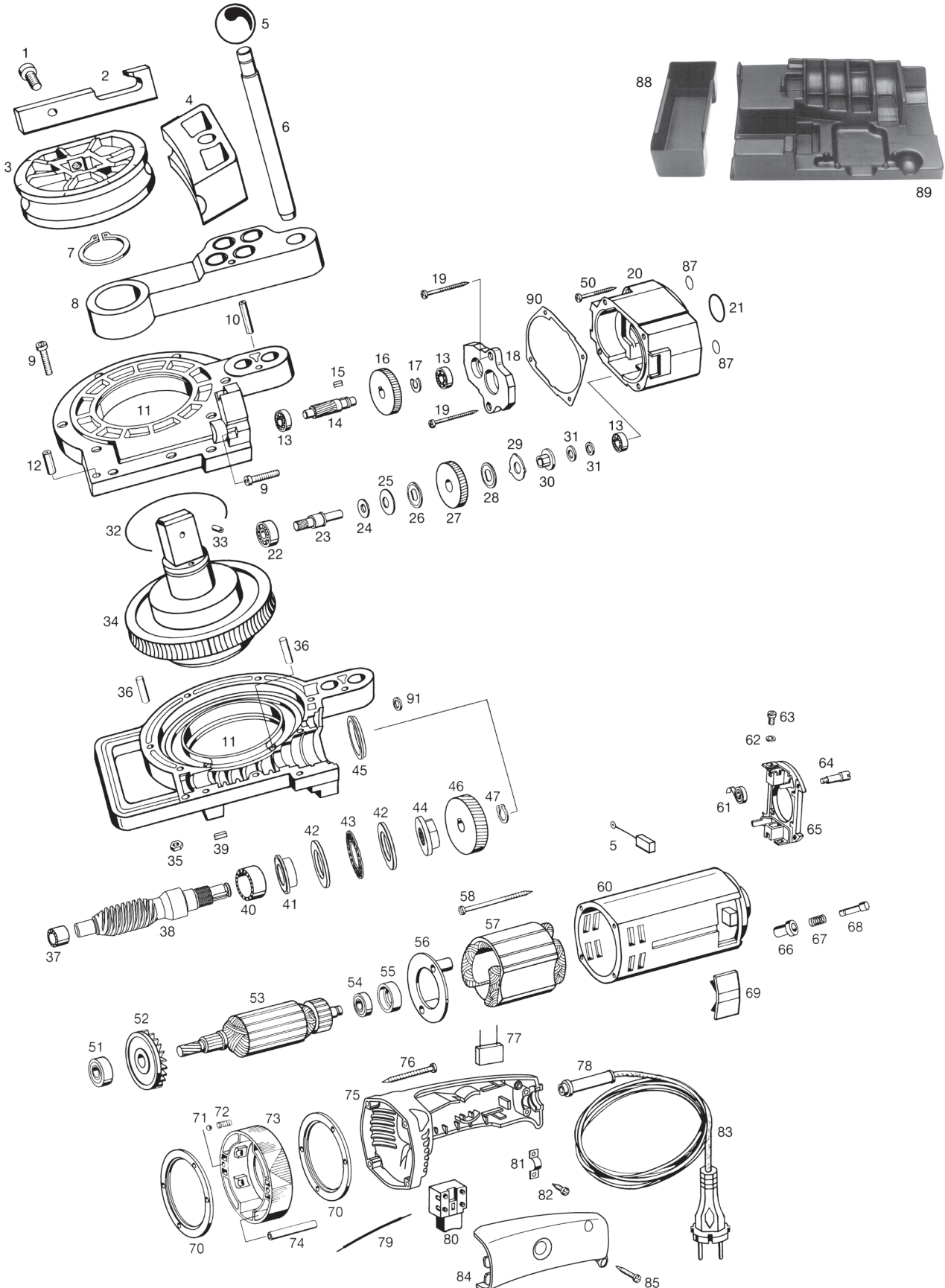
Latest version
see www.rems.de
other parts on request

Liste des pièces

Situation actuelle
voir www.rems.de
autres pièces sur demande

Elenco dei pezzi

Ultimo aggiornamento
vedi www.rems.de
altri ricambi su richiesta



REMS Curvo

deu		eng		fra		ita		
Biegesegment + Gleitstück		Former + back former		Forme + pièce coulissante		Matrice + pezzo scorrevole		
— Pos. 1, 2, 3 + 4		Pos. 1, 2, 3 + 4		Pos. 1, 2, 3 + 4		Pos. 1, 2, 3 + 4		
Ø 10,	R 40	Ø 10,	R 40	Ø 10,	R 40	Ø 10,	R 40	581400
Ø 12,	R 45	Ø 12,	R 45	Ø 12,	R 45	Ø 12,	R 45	581410
Ø 14,	R 50	Ø 14,	R 50	Ø 14,	R 50	Ø 14,	R 50	581420
Ø 15,	R 55	Ø 15,	R 55	Ø 15,	R 55	Ø 15,	R 55	581430
Ø 16,	R 60	Ø 16,	R 60	Ø 16,	R 60	Ø 16,	R 60	581440
Ø 17,	R 56	Ø 17,	R 56	Ø 17,	R 56	Ø 17,	R 56	581110
Ø 18,	R 70	Ø 18,	R 70	Ø 18,	R 70	Ø 18,	R 70	581450
Ø 20,	R 75	Ø 20,	R 75	Ø 20,	R 75	Ø 20,	R 75	581080
Ø 22,	R 77	Ø 22,	R 77	Ø 22,	R 77	Ø 22,	R 77	581460
Ø 22,	R 88	Ø 22,	R 88	Ø 22,	R 88	Ø 22,	R 88	581470
Ø 24,	R 75	Ø 24,	R 75	Ø 24,	R 75	Ø 24,	R 75	581130
Ø 25,	R 98	Ø 25,	R 98	Ø 25,	R 98	Ø 25,	R 98	581180
Ø 26,	R 98	Ø 26,	R 98	Ø 26,	R 98	Ø 26,	R 98	581270
Ø 28,	R 102	Ø 28,	R 102	Ø 28,	R 102	Ø 28,	R 102	581070
Ø 28,	R 114	Ø 28,	R 114	Ø 28,	R 114	Ø 28,	R 114	581310
Ø 30,	R 98	Ø 30,	R 98	Ø 30,	R 98	Ø 30,	R 98	581150
Ø 32,	R 98	Ø 32,	R 98	Ø 32,	R 98	Ø 32,	R 98	581280
Ø 32,	R 114	Ø 32,	R 114	Ø 32,	R 114	Ø 32,	R 114	581320
Ø 35,	R 140	Ø 35,	R 140	Ø 35,	R 140	Ø 35,	R 140	581350
Ø 40,	R 140	Ø 40,	R 140	Ø 40,	R 140	Ø 40,	R 140	581330
Ø 3/8",	R 43	Ø 3/8",	R 43	Ø 3/8",	R 43	Ø 3/8",	R 43	581200
Ø 1/2",	R 52	Ø 1/2",	R 52	Ø 1/2",	R 52	Ø 1/2",	R 52	581210
Ø 5/8",	R 63	Ø 5/8",	R 63	Ø 5/8",	R 63	Ø 5/8",	R 63	581220
Ø 3/4",	R 75	Ø 3/4",	R 75	Ø 3/4",	R 75	Ø 3/4",	R 75	581230
Ø 7/8",	R 98	Ø 7/8",	R 98	Ø 7/8",	R 98	Ø 7/8",	R 98	581240
Ø 1",	R 101	Ø 1",	R 101	Ø 1",	R 101	Ø 1",	R 101	581370
Ø 11/8",	R 102	Ø 11/8",	R 102	Ø 11/8",	R 102	Ø 11/8",	R 102	581260
Ø 11/8",	R 115	Ø 11/8",	R 115	Ø 11/8",	R 115	Ø 11/8",	R 115	581380
Ø 11/4",	R 133	Ø 11/4",	R 133	Ø 11/4",	R 133	Ø 11/4",	R 133	581390
Ø 13/8",	R 140	Ø 13/8",	R 140	Ø 13/8",	R 140	Ø 13/8",	R 140	581350
4 Gleitstück		Back former		Pièce coulissante		Pezzo scorrevole		
Ø 10,	R 40	Ø 10,	R 40	Ø 10,	R 40	Ø 10,	R 40	581404R
Ø 12,	R 45	Ø 12,	R 45	Ø 12,	R 45	Ø 12,	R 45	581414R
Ø 14,	R 50	Ø 14,	R 50	Ø 14,	R 50	Ø 14,	R 50	581424R
Ø 15,	R 55	Ø 15,	R 55	Ø 15,	R 55	Ø 15,	R 55	581434R
Ø 16,	R 60	Ø 16,	R 60	Ø 16,	R 60	Ø 16,	R 60	581444R
Ø 17,	R 56	Ø 17,	R 56	Ø 17,	R 56	Ø 17,	R 56	581114R
Ø 18,	R 70	Ø 18,	R 70	Ø 18,	R 70	Ø 18,	R 70	581454R
Ø 20,	R 75	Ø 20,	R 75	Ø 20,	R 75	Ø 20,	R 75	581084R
Ø 22,	R 77	Ø 22,	R 77	Ø 22,	R 77	Ø 22,	R 77	581464R
Ø 22,	R 88	Ø 22,	R 88	Ø 22,	R 88	Ø 22,	R 88	581474R
Ø 24,	R 75	Ø 24,	R 75	Ø 24,	R 75	Ø 24,	R 75	581134R
Ø 25,	R 98	Ø 25,	R 98	Ø 25,	R 98	Ø 25,	R 98	581184R
Ø 26,	R 98	Ø 26,	R 98	Ø 26,	R 98	Ø 26,	R 98	581274R
Ø 28,	R 102	Ø 28,	R 102	Ø 28,	R 102	Ø 28,	R 102	581074R
Ø 28,	R 114	Ø 28,	R 114	Ø 28,	R 114	Ø 28,	R 114	581074R
Ø 30,	R 98	Ø 30,	R 98	Ø 30,	R 98	Ø 30,	R 98	581154R
Ø 32,	R 98	Ø 32,	R 98	Ø 32,	R 98	Ø 32,	R 98	581284R
Ø 32,	R 114	Ø 32,	R 114	Ø 32,	R 114	Ø 32,	R 114	581324R
Ø 35,	R 140	Ø 35,	R 140	Ø 35,	R 140	Ø 35,	R 140	581354R
Ø 40,	R 140	Ø 40,	R 140	Ø 40,	R 140	Ø 40,	R 140	581334R
Ø 3/8",	R 43	Ø 3/8",	R 43	Ø 3/8",	R 43	Ø 3/8",	R 43	581204R
Ø 1/2",	R 52	Ø 1/2",	R 52	Ø 1/2",	R 52	Ø 1/2",	R 52	581214R
Ø 5/8",	R 63	Ø 5/8",	R 63	Ø 5/8",	R 63	Ø 5/8",	R 63	581224R
Ø 3/4",	R 75	Ø 3/4",	R 75	Ø 3/4",	R 75	Ø 3/4",	R 75	581234R
Ø 7/8",	R 98	Ø 7/8",	R 98	Ø 7/8",	R 98	Ø 7/8",	R 98	581244R
Ø 1",	R 101	Ø 1",	R 101	Ø 1",	R 101	Ø 1",	R 101	581374R
Ø 11/8",	R 102	Ø 11/8",	R 102	Ø 11/8",	R 102	Ø 11/8",	R 102	581264R
Ø 11/8",	R 115	Ø 11/8",	R 115	Ø 11/8",	R 115	Ø 11/8",	R 115	581384R
Ø 11/4",	R 133	Ø 11/4",	R 133	Ø 11/4",	R 133	Ø 11/4",	R 133	581394R
Ø 13/8",	R 140	Ø 13/8",	R 140	Ø 13/8",	R 140	Ø 13/8",	R 140	581354R
deu	eng	fra	ita					
5 Kugelknopf	Knob	Bouton sphérique	Pomello	071007				
— Steckbolzen mont.	Socket pin mount.	Axe débrochable mont.	Bullone a inniesto mont.	582036				
— Pos. 5 und 6	Pos. 5 and 6	Pos. 5 et 6	Pos 5 e 6					
7 Sicherungsring	Locking ring	Circlip	Anello di sicurezza	059083				
8 Universalabstützung	Support universal	Support universel	Supporto universale	582055RE				
9 Zylinderschraube	Fillister head screw	Vis à tête cylindrique	Vite a testa cilindrica	081126				
10 Spiralspannstift	Spiral pin	Goupille spiralée	Spina elastica	088198				
11 Getriebegehäuse	Gear housing	Boite d'engrenage	Scatola degli ingranaggi	582026R				
12 Spiralspannstift	Spiral pin	Goupille spiralée	Spina elastica	088072				
13 Rillenkugellager	Grooved ball bearing	Roulement à billes	Cuscinetto a sfere	057088				
14 Ritzel	Pinion	Pignon	Pignone	850003A				
15 Passfeder	Key	Clavette	Chiavetta	849108				

REMS Curvo

deu	eng	fra	ita		
16	Stirnrad	Wheel	Roue droite	Ruota dentata cilindrica	532010R220
17	Sicherungsscheibe	Locking washer	Rondelle de sécurité	Ranella di sicurezza	059042
18	Lagerplatte	Bearing plate	Plaque d'appui	Piastra di supporto	582018R
19	Blechschaube	Sheet metal screw	Vis à tôle	Vite da lamiera	083066
20	Zwischengehäuse	Intermediate housing	Carcasse intermédiaire	Carcasa intermedia	570207R
21	O-Ring	O-ring	Joint torique	Guarnizione O-Ring	060109
—	Ritzelwelle mit Rutschkupplung Pos. 22–31 und 13	Pinion shaft with safety clutch Pos. 22–31 and 13	Arbre pignon avec embrayage sécurité Pos. 22–31 et 13	Albero pignone a innest. sicurezza Pos. 22–31 e 13	582005
—	Ritzelwelle (110 V) mit Rutschkupplung Pos. 22–31 und 13	Pinion shaft (110 V) with safety clutch Pos. 22–31 and 13	Arbre pignon (110 V) avec embrayage sécurité Pos. 22–31 et 13	Albero pignone (110 V) a innest. sicurezza Pos. 22–31 e 13	582006R
32	O-Ring	O-ring	Joint torique	Guarnizione O-Ring	060106
33	Spannhülse	Adaptor sleeve	Douille de serrage	Spina elastica	088131
34	Spindelrad	Spindle wheel	Roue d'arbre	Ruota albero	582029R
35	Sechskantmutter	Hexagon nut	Ecrou hexagonal	Dado esagonale	847008
36	Zylinderstift	Straight pin	Tige cylindrique	Spina cilindrica	088061
37	Nadelhülse	Needle bushing	Douille à aiguilles	Astuccio a rullini	057067
—	Schneckenwelle mont. Pos. 41–45 und 38	Worm mount. Pos. 41–45 and 38	Vis sans fin mont. Pos. 41–45 et 38	Vite senza fina mont. Pos. 41–45 e 38	582011R
39	Paßfeder	Key	Clavette	Chiavetta	582039
40	Nadelhülse	Needle bushing	Douille à aiguilles	Astuccio a rullini	057102
46	Stirnrad	Wheel	Roue droite	Ruota dentata cilindrica	542010R220
47	Sicherungsscheibe	Locking washer	Rondelle de sécurité	Ranella di sicurezza	059053
50	Blechschaube	Sheet metal screw	Vis à tôle	Vite da lamiera	083073
51	Rillenkugellager	Grooved ball bearing	Roulement à billes	Cuscinetto a sfere	057004
52	Lüfter	Ventilator	Ventilateur	Ventilatore	535007
—	Anker mit Lüfter 230 V Pos. 52 und 53	Rotor with ventilator 230 V Pos. 52 and 53	Induit avec ventilateur 230 V Pos. 52 et 53	Indotto con ventilatore 230 V Pos. 52 e 53	585006R220
—	Anker mit Lüfter 110 V Pos. 52 und 53	Rotor with ventilator 110 V Pos. 52 and 53	Induit avec ventilateur 110 V Pos. 52 et 53	Indotto con ventilatore 110 V Pos. 52 e 53	585006R110
54	Rillenkugellager	Grooved ball bearing	Roulement à billes	Cuscinetto a sfere	057061
55	Dämmring	Insulating ring	Anneau isolant	Anello isolante	570504
56	Lüfterabdeckung	Ventilator cover	Couvercle du ventilateur	Copertura di ventilatore	565409R
57	Stator 230 V	Stator 230 V	Stator 230 V	Statore 230 V	585005R220
—	Stator 110 V	Stator 110 V	Stator 110 V	Statore 110 V	585005R110
58	Blechschaube	Sheet metal screw	Vis à tôle	Vite da lamiera	083087
59	Kohlebürste (Paar)	Carbon brush (pair)	Balais de charbon (paire)	Carboncini (paio)	535021R
—	Gehäuse kompl. Pos. 55, 59–68	Housing compl. Pos. 55, 59–68	Carcasse compl. Pos. 55, 59–68	Carcassa compl. Pos. 55, 59–68	535025R
—	Isolierring kompl. Pos. 61, 62, 63, 65	Insulating ring compl. Pos. 61, 62, 63, 65	Bague isolante compl. Pos. 61, 62, 63, 65	Anello di isolamento compl. Pos. 61, 62, 63, 65	535017
64	Schraube	Screw	Vis	Vite	535010
66	Buchse	Bush	Douille	Boccola	535012
67	Druckfeder	Pressure spring	Ressort de compression	Molla di compressione	535013
68	Kontaktstift	Contact pin	Fiche de contact	Spina di contatto	535011
69	Abdeckung	Cover	Couvercle	Coperchio	535003R
70	Abdeckring	Sealing ring	Bague-couvercle	Anello di copertura	535009R
71	Stahlkugel	Steel ball	Bille d'acier	Sfera di acciaio	057062
72	Druckfeder	Pressure spring	Ressort de compression	Molla di compressione	535015
73	Stelling	Adjusting ring	Bague d'inversion	Commutatore di rotazione	535004R
74	Distanzhülse	Distance sleeve	Entretoise	Boccola distanziatrice	535014
75	Griff	Handle	Poignée	Impugnatura	565027
76	Blechschaube	Sheet metal screw	Vis à tôle	Vite da lamiera	083066
77	Kondensator	Capacitor	Condensateur	Condensatore	027006
78	Biegeschutz	Rubber sleeve	Douille en caoutchouc	Manicotto di protezione	032057
79	Schaltlitze	Reversing strand	Câble comple	Cavetto	535022
80	Schalter 230 V	Switch 230 V	Interrupteur 230 V	Interruttore 230 V	023102R220
—	Schalter 110 V	Switch 110 V	Interrupteur 110 V	Interruttore 110 V	023102R110
81	Bride	Strap	Bride	Linguetta	163130
82	Blechschaube	Sheet metal screw	Vis à tôle	Vite da lamiera	083063
83	Anschlussleitung 230 V	Connecting cable 230 V	Raccordement 230 V	Cavo d'allacciamento 230 V	535037R220
—	Anschlussleitung 110 V	Connecting cable 110 V	Raccordement 110 V	Cavo d'allacciamento 110 V	535037R110
—	Anschlussleitung CH	Connecting cable CH	Raccordement CH	Cavo d'allacciamento CH	535037RSEV

REMS Curvo

deu	eng	fra	ita	
84 Griffdeckel	Handle cover	Couvercle de poignée	Coperchio d'impugnatura	585028
85 Blechschraube	Sheet metal screw	Vis à tôle	Vite da lamiera	083187
87 O-Ring	O-ring	Joint torique	Guarnizione O-Ring	060175
88 Einsatz	Insert	Insertion	Inserto	586006
89 Einlage	Insert	Insertion	Inserto	586005
— Stahlblechkasten	Steel case	Coffret métallique	Cassetta metallica	
— Pos. 88, 89	Pos. 88, 89	Pos. 88, 89	Pos. 88, 89	586000R
Getriebefett 0,5 kg	Gear flow grease 0.5 kg	Graisse à engrenages 0,5 kg	Grasso ingranaggi 0,5 kg	091002R0,5
— Motor kompl. 110 V	Motor compl. 110 V	Moteur compl. 110 V	Motore compl. 110 V	585000R110
Motor kompl. 230 V	Motor compl. 230 V	Moteur compl. 230 V	Motore compl. 230 V	585000R220
Motor kompl. CH	Motor compl. CH	Moteur compl. CH	Motore compl. CH	585000RSEV
90 Dichtung Zwischengehäuse	Seal intermediate housing	Joint carter interm.	Guarnizione carcassa interm.	570227R
91 O-Ring	O-ring	Joint torique	Guarnizione O-Ring	060296