

REMS Hydro-Swing

Teilverzeichnis

Aktueller Stand
siehe www.rems.de
weitere Teile auf Anfrage

Spare parts list

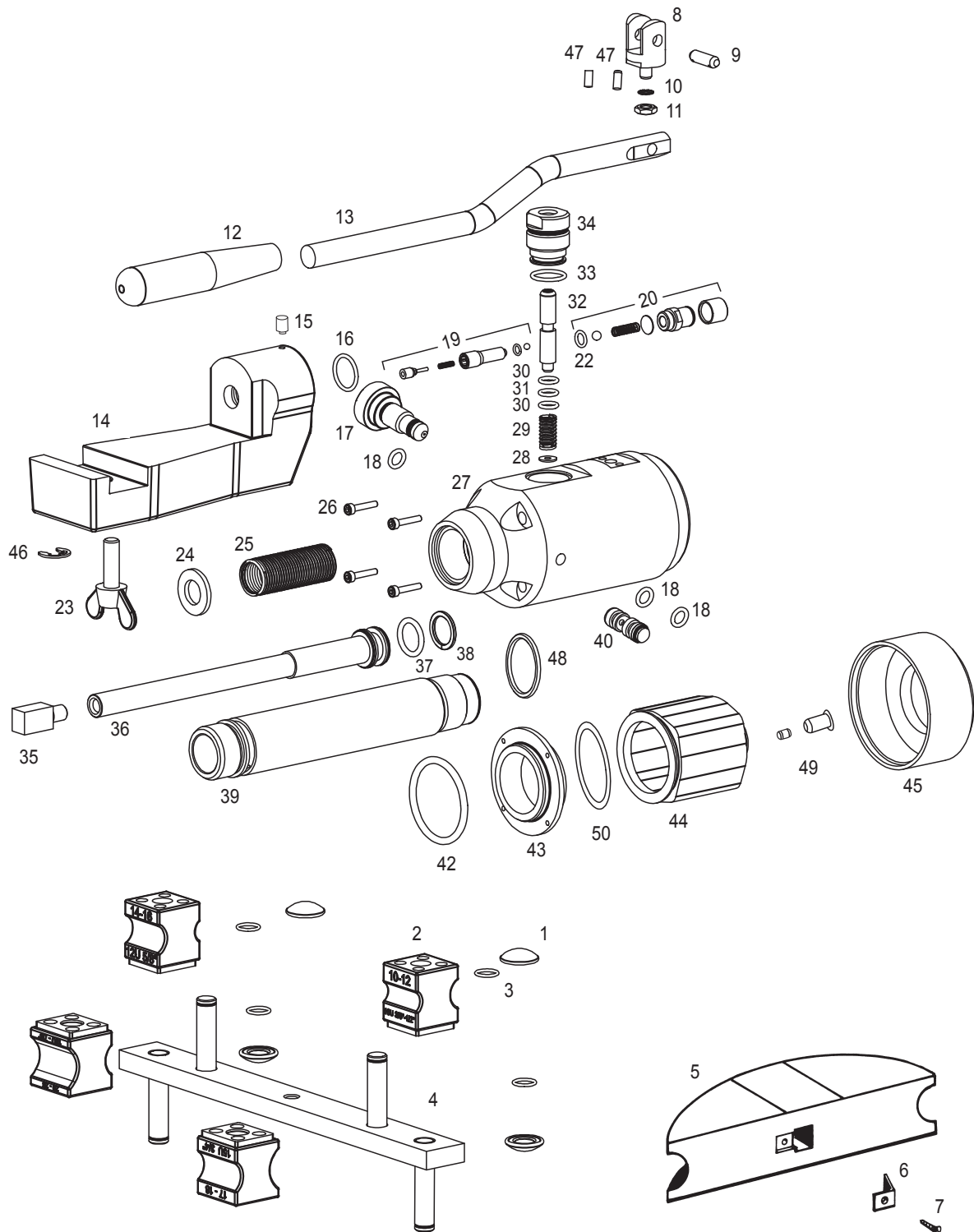
Latest version
see www.rems.de
other parts on request

Liste des pièces

Situation actuelle
voir www.rems.de
autres pièces sur demande

Elenco dei pezzi

Ultimo aggiornamento
vedi www.rems.de
altri ricambi su richiesta



REMS Hydro-Swing

	deu	eng	fra	ita	
1	Schnellbefestiger	Quick fixing device	Attache rapide	Fissaggio rapido	059075
2	Gleitstück 10–16, 3/8"–5/8"	Sliding piece 10–16, 3/8"–5/8"	Pièce coulissante 10–16, 3/8"–5/8"	Pezzo scorrevole 10–16, 3/8"–5/8"	153126
3	O-Ring	Locking ring	Joint torique	Guarnizione O-Ring	060240
—	Gleitstückträger 10–16, 3/8"–5/8" Pos. 1–4	Crossbar 10–16, 3/8"–5/8" Pos. 1–4	Contreforme 10–16, 3/8"–5/8" Pos. 1–4	Contromatrice 10–16, 3/8"–5/8" Pos. 1–4	153501 R
—	Rücklaufventil komplett Pos. 17–18 (bis 07/2023)	Return valve compl. Pos. 17–18 (up to 07/2023)	Soupape retour compl. Pos. 17–18 (jusqu'au 07/2023)	Valvola ritorno compl. Pos. 17–18 (fino a 07/2023)	153559 R
—	Rücklaufventil komplett Pos. 17–18 (ab 07/2023)	Return valve compl. Pos. 17–18 (from 07/2023)	Soupape retour compl. Pos. 17–18 (à partir du 07/2023)	Valvola ritorno compl. Pos. 17–18 (da 07/2023)	153567 R
—	Gleitstückträger 32	Crossbar 32	Contreforme 32	Contromatrice 32	153115 R
—	Biegesegment Pos. 5–7 siehe Preisliste	Form Pos. 5–7 see price list	Forme Pos. 5–7 voir liste de prix	Matrice Pos. 5–7 vedi listino prezzi	
9	Spiralspannstift	Spiral pin	Goupille spiralée	Spina elastica	088223
—	Hebel + Handgriff komplett Pos. 12+13	Lever + Handle compl. Pos. 12+13	Lever + Poignée compl. Pos. 12+13	Leva + Impugnatura compl. Pos. 12+13	153565 R
12	Handgriff	Handle	Poignée	Impugnatura	071097
14	Gehäuse	Housing	Carcasse	Carcassa	153545 R
16	O-Ring	Locking ring	Joint torique	Guarnizione O-Ring	060003
18	O-Ring	Locking ring	Joint torique	Guarnizione O-Ring	060356
19	Rückschlagventil	Check valve	Soupape retour	Valvola	578278 R
20	Ventil Saugseite	Valve pressure side	Crépine	Valvola lato aspirazione	578280 R
23	Flügelgriff	Wing handle	Poignée à oreilles	Manopola a farfalla	083203
—	ET-Set Pumpenkolben Pos. 28–33	Spares kit for pump piston Pos. 28–33	Set-PD piston de pompe Pos. 28–33	Set ricambi pistone a pompa Pos. 28–33	153566 R
27	Hydraulikblock	Hydraulic block	Bloc hydraulique	Blocco idraulico	153547 R
29	Druckfeder	Pressure spring	Ressort de compression	Molla di compressione	153556 R
34	Führungsbuchse	Guiding bush	Douille de guidage	Boccola guida	153549 R
35	Werkzeugaufnahme	Tool holder	Embout porte-outil	Alloggiamento utensile	153558 R
37	O-Ring	Locking ring	Joint torique	Guarnizione O-Ring	060005
38	Stützring	Back-up ring	Bague d'appui	Rondella di appoggio	153557 R
—	Vorschubkolben komplett Pos. 35–38	Feed lever compl. Pos. 35–38	Lever d'alimentation compl. Pos. 35–38	Leva di alimentazione compl. Pos. 35–38	153561 R
39	Zylinder	Cylinder	Cylindre	Cilindro	153544 R
42	O-Ring	Locking ring	Joint torique	Guarnizione O-Ring	060277
43	Befestigungsring	Fastening ring	Bague de fixation	Anello di fissaggio	153548 R
45	Deckel, schwarz RAL 9005	Cover, black RAL 9005	Couvercle, noir RAL 9005	Coperchio, nero RAL 9005	153554 R
50	O-Ring	Locking ring	Joint torique	Guarnizione O-Ring	060015