

REMS E-Push 2

Teilverzeichnis

Aktueller Stand
siehe www.rems.de
weitere Teile auf Anfrage

Spare parts list

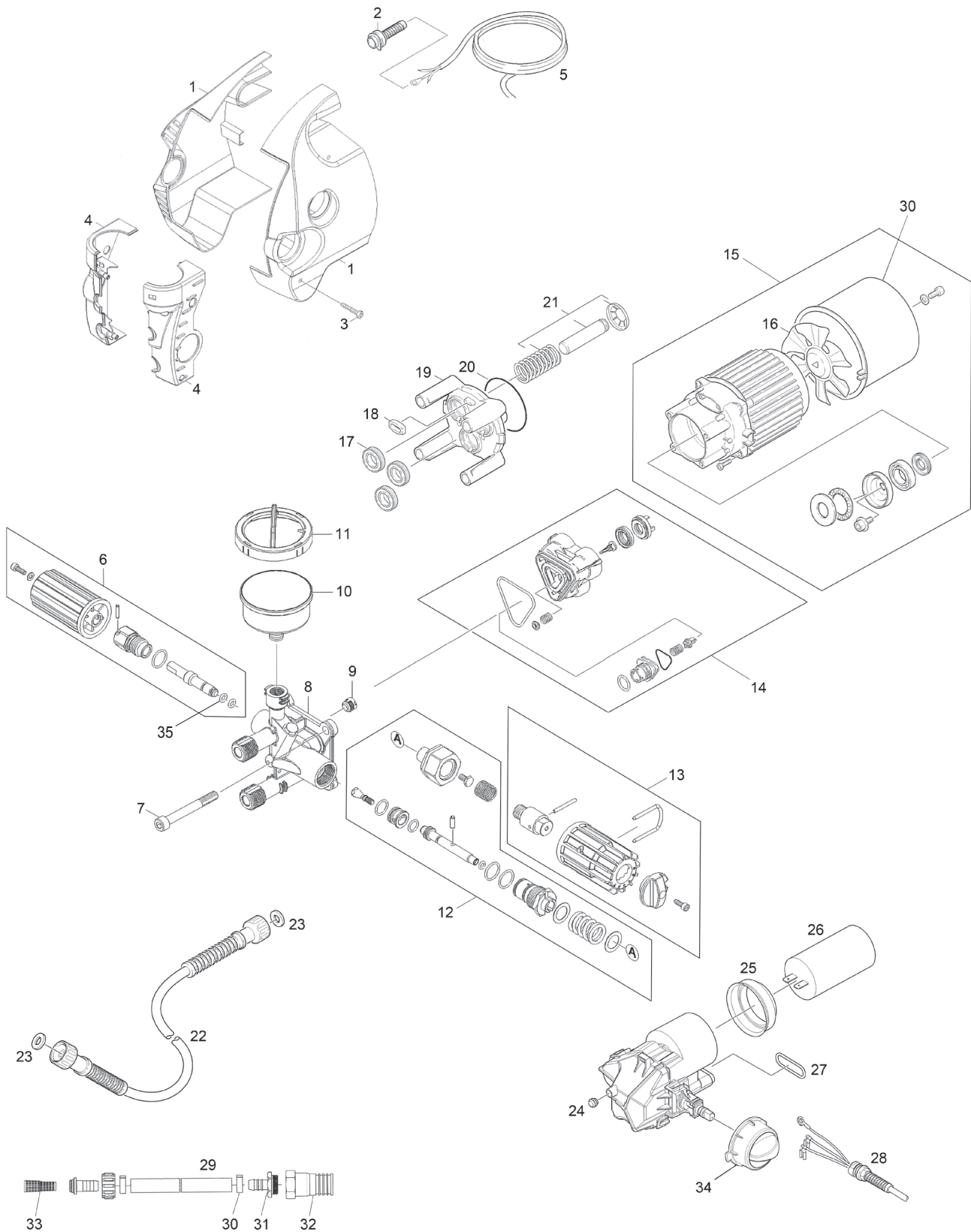
Latest version
see www.rems.de
other parts on request

Liste des pièces

Situation actuelle
voir www.rems.de
autres pièces sur demande

Elenco dei pezzi

Ultimo aggiornamento
vedi www.rems.de
altri ricambi su richiesta



REMS E-Push 2

| deu | eng | fra | ita | |
|----------------------------------|--------------------------------------|------------------------------------|--|------------|
| 1 Gehäuseschalen, Paar | Housing shells, pair | Carcasse coquille, paire | Carcassa calotta, paio | 115510R |
| 4 Gehäuseschalen Manometer, Paar | Housing shells manometer, pair | Carcasse coquille manometre, paire | Carcassa calotta manometro, paio | 115511R |
| 6 Absperrventil „Test“ | „Test“ stop valve | Soupape d'arrêt „Test“ | Valvola d'arresto „Test“ | 115512R |
| 8 Steuergehäuse | Control housing | Bloc de commande | Blocco di comando | 115525R |
| 9 Set Rückschlagventil | Set non-return valve | Set clapet anti-retour | Set valvola antiritorno | 115528R |
| 10 Manometer | Manometer | Manometre | Manometro | 115522 |
| 11 Druckanzeiger | Pressure indicator | Indicateur de pression | Indicatore di pressione | 115513R |
| 12 Druckregelventil | Pressure-regulating valve | Soupape régulateur de pression | Valvola di regolazione della pressione | 115514R |
| 13 Schaltknopf Druckregler kpl. | Pressure regulator spring | Poignée réglage pression comp. | Molla regolazione pressione | 115515R |
| 14 Zylinderkopf kompl. | Cylinder head compl. | Tête cylindrique compl. | Testa del cilindro compl. | 115520R |
| 15 Motor komplett | Motor compl. | Moteur compl. | Motore compl. | 115516R220 |
| 16 Lüfterflügel | Ventilator blade | Palette de Ventilateur | Ventola | 115517R |
| 17 Nutring | Groove ring | Anneau rainuré | Anello incavo | 115527R |
| 18 Dichtung | Seal | Joint | Guarnizione | 115537R |
| 19 Geradschubführung | Straight drawer guide | Guide d'avance droite | Guida di spinta rettilinea | 115538R |
| 20 0-Ring | 0-ring | Joint torique | Guarnizione 0-Ring | 115536 |
| 21 Kolben komplett | Piston compl. | Piston compl. | Pistone compl. | 115524R |
| — Hochdruckschlauch Pos. 22, 23 | High-pressure hose Pos. 22, 23 | Tuyau à haute pression Pos. 22, 23 | Tubo ad alta pressione Pos. 22, 23 | 115518R |
| 23 Flachdichtung | Sealing ring | Bague d'étanchéité | Anello di tenuta | 060371 |
| 24 E-Kasten Kondensator | E-box capacitor | Boîtier élec. condensateur | Condensatore quadro elettrico | 115533R |
| 26 Kondensator | Capacitor | Condensateur | Condensatore | 115526R |
| — Ansaugschlauch Pos. 29 – 32 | Suction connection hose Pos. 29 – 32 | Jeu pièces détachées Pos. 29 – 32 | Tubo d'aspirazione Pos. 29 – 32 | 115519R |
| 30 Luftführung | Air shroud | Conduite d'air | Condotto aria | 115535R |
| 33 Einsatz Saugfilter | Insert suction filter | Filtre d'aspiration | Inserto filtro aspirazione | 115532R |
| 34 Schaltknopf | Switch button | Bouton commutateur | Pomello commutatore | 115521R |
| 35 0-Ring | 0-ring | Joint torique | Guarnizione 0-Ring | 115531 |