

# REMS Hydro-Swing

**Teilverzeichnis**

Aktueller Stand  
siehe [www.rems.de](http://www.rems.de)  
weitere Teile auf Anfrage

**Spare parts list**

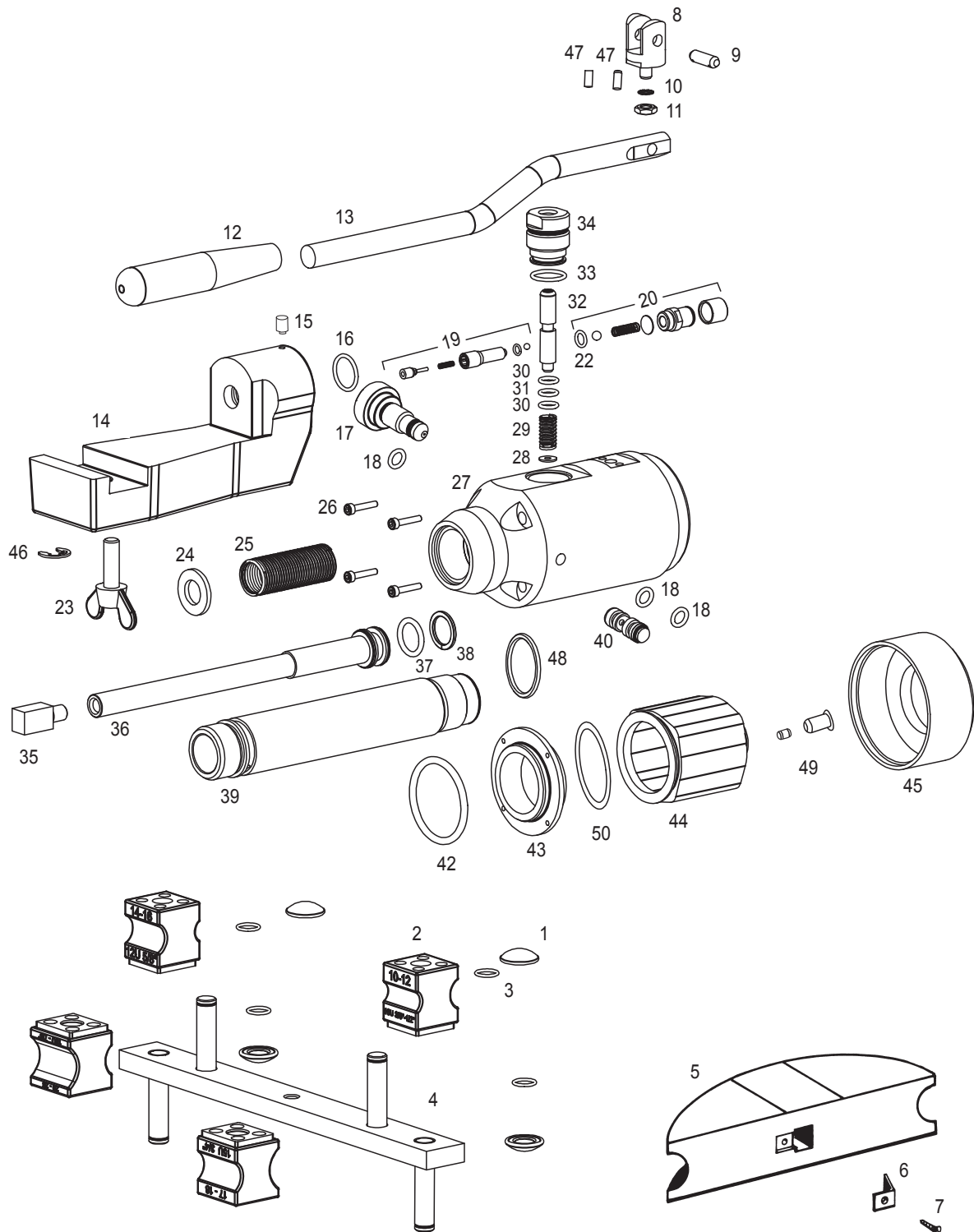
Latest version  
see [www.rems.de](http://www.rems.de)  
other parts on request

**Liste des pièces**

Situation actuelle  
voir [www.rems.de](http://www.rems.de)  
autres pièces sur demande

**Elenco dei pezzi**

Ultimo aggiornamento  
vedi [www.rems.de](http://www.rems.de)  
altri ricambi su richiesta



# REMS Hydro-Swing

	deu	eng	fra	ita	
1	Schnellbefestiger	Quick fixing device	Attache rapide	Fissaggio rapido	059075
2	Gleitstück 10–16, 3/8"–5/8"	Sliding piece 10–16, 3/8"–5/8"	Pièce coulissante 10–16, 3/8"–5/8"	Pezzo scorrevole 10–16, 3/8"–5/8"	153126
3	O-Ring	Locking ring	Joint torique	Guarnizione O-Ring	060240
—	Gleitstückträger 10–16, 3/8"–5/8" Pos. 1–4	Crossbar 10–16, 3/8"–5/8" Pos. 1–4	Contreforme 10–16, 3/8"–5/8" Pos. 1–4	Contromatrice 10–16, 3/8"–5/8" Pos. 1–4	153501 R
—	Rücklaufventil komplett Pos. 17–18	Return valve compl. Pos. 17–18	Soupape retour compl. Pos. 17–18	Valvola ritorno compl. Pos. 17–18	153559 R
—	Gleitstückträger 32	Crossbar 32	Contreforme 32	Contromatrice 32	153115 R
—	Biegesegment Pos. 5–7 siehe Preisliste	Form Pos. 5–7 see price list	Forme Pos. 5–7 voir liste de prix	Matrice Pos. 5–7 vedi listino prezzi	
14	Gehäuse	Housing	Carcasse	Carcassa	153545 R
16	O-Ring	Locking ring	Joint torique	Guarnizione O-Ring	060003
18	O-Ring	Locking ring	Joint torique	Guarnizione O-Ring	060356
19	Rückschlagventil	Check valve	Soupape retour	Valvola	578278 R
20	Ventil Saugseite	Valve pressure side	Crépine	Valvola lato aspirazione	578280 R
23	Flügelgriff	Wing handle	Poignée à oreilles	Manopola a farfalla	083203
—	ET-Set Pumpenkolben Pos. 28–33	Spares kit for pump piston Pos. 28–33	Set-PD piston de pompe Pos. 28–33	Set ricambi pistone a pompa Pos. 28–33	153566 R
27	Hydraulikblock	Hydraulic block	Bloc hydraulique	Blocco idraulico	153547 R
29	Druckfeder	Pressure spring	Ressort de compression	Molla di compressione	153556 R
34	Führungsbuchse	Guiding bush	Douille de guidage	Boccola guida	153549 R
35	Werkzeugaufnahme	Tool holder	Embout porte-outil	Alloggiamento utensile	153558 R
37	O-Ring	Locking ring	Joint torique	Guarnizione O-Ring	060005
38	Stützring	Back-up ring	Bague d'appui	Rondella di appoggio	153557 R
—	Vorschubkolben komplett Pos. 35–38	Feed lever compl. Pos. 35–38	Levier d'alimentation compl. Pos. 35–38	Leva di alimentazione compl. Pos. 35–38	153561 R
39	Zylinder	Cylinder	Cylindre	Cilindro	153544 R
42	O-Ring	Locking ring	Joint torique	Guarnizione O-Ring	060277
43	Befestigungsring	Fastening ring	Bague de fixation	Anello di fissaggio	153548 R
45	Deckel, schwarz RAL 9005	Cover, black RAL 9005	Couvercle, noir RAL 9005	Coperchio, nero RAL 9005	153554 R
50	O-Ring	Locking ring	Joint torique	Guarnizione O-Ring	060015