

## REMS Akku-Press XL 45kN 22V ACC

### Teileverzeichnis

Aktueller Stand  
siehe [www.rems.de](http://www.rems.de)  
weitere Teile auf Anfrage

### Spare parts list

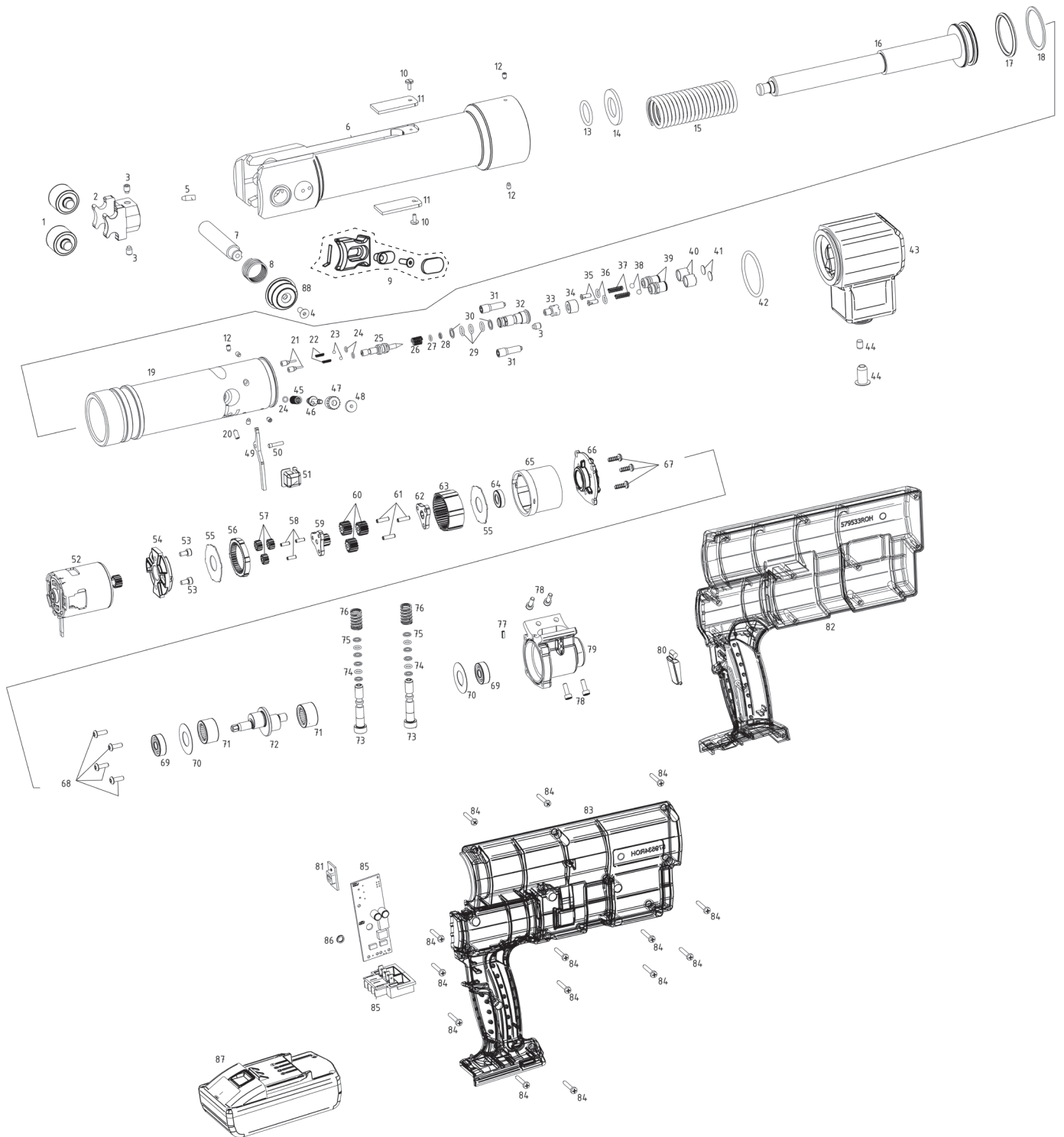
Latest version  
see [www.rems.de](http://www.rems.de)  
other parts on request

### Liste des pièces

Situation actuelle  
voir [www.rems.de](http://www.rems.de)  
autres pièces sur demande

### Elenco dei pezzi

Ultimo aggiornamento  
vedi [www.rems.de](http://www.rems.de)  
altri ricambi su richiesta



# REMS Akku-Press XL 45kN 22V ACC

	deu	eng	fra	ita	
—	Rollenträger kompl. XL Pos. 1–3	Roller holder compl. XL Pos. 1–3	Support galets compl. XL Pos. 1–3	Portarulli compl. XL Pos. 1–3	579557 R
—	Antriebsgehäuse + Verriegelung Akku-Press XL 45kN Pos. 5–13	Drive housing + locking Akku-Press XL 45kN Pos. 5–13	Carcasse + verrouillage Akku-Press XL 45kN Pos. 5–13	Carcassa ingranaggio Akku-Press XL 45kN Pos. 5–13	579555 R
9	Presszangenverriegelung mit Pos. 88	Tongs lock with Pos. 88	Verrouillage avec Pos. 88	Perno fissaggio pinza con Pos. 88	571299R
—	Vorschubkolben kompl. Akku-Press XL 45kN Pos. 14–18	Feed piston compl. Akku-Press XL 45kN Pos. 14–18	Piston d'avance compl. Akku-Press XL 45kN Pos. 14–18	Pistone d'avanzamento compl. Akku-Press XL 45kN Pos. 14–18	579556 R
—	Ringsatz Akku-Press XL 45kN Pos. 17, 18, 74, 75	Ring set Akku-Press XL 45kN Pos. 17, 18, 74, 75	Jeu de joints Akku-Press XL 45kN Pos. 17, 18, 74, 75	Set anelli Akku-Press XL 45kN Pos. 17, 18, 74, 75	579539 R
—	Hydraulikblock kompl. XL 45kN, Pos. 19–48	Hydraulic block compl. XL 45kN, Pos. 19–48	Bloc hydraulique compl. XL 45kN, Pos. 19–48	Blocco idraulico compl. XL 45kN, Pos. 19–48	579540 R
42	O-Ring	Locking ring	Joint torique	Guarnizione O-Ring	060386
43	Ausgleichsbehälter	Compensating reservoir	Reservoir de compensation	Contentitore di compensazione	579542 ROH
44	Stopfen mit Stabmagnet	Plug with magnet	Bouchon avec magnet	Tappo con calamita	571249 R
49	Hebel XL 45kN	Lever XL 45kN	Levier XL 45kN	Leva XL 45kN	579251 R
50	Stift	Pin	Goupille	Perno	579254 R
51	Betätigungsknopf XL 45kN	Actuating button XL 45kN	Bouton d'actionnement XL 45kN	Pulsante d'azionamento XL 45kN	579252 ROH
52	Gleichstrommotor mit Ritzel	D.C. Motor with pinion	Moteur à courant continu avec pignon	Motore monofasico con pignone	576116 R22
—	Planetengetriebe kompl. Pos. 54–65	Planetary gear drive compl. Pos. 54–65	Engranage planetaire compl. Pos. 54–65	Ingranaggio planetario compl. Pos. 54–65	576119 R
53	Zylinderschraube	Fillister head screw	Vis tête cylindrique	Vite a testa cilindrica	081001
54	Motorflansch	Motor flange	Flasque du moteur	Flangia motore	576151 ROH
—	Pumpe kompl. Akku-Press XL 45kN Pos. 68–72, 77–79	Pump compl. Akku-Press XL 45kN Pos. 68–72, 77–79	Pompe compl. Akku-Press XL 45kN Pos. 68–72, 77–79	Pompa compl. Akku-Press XL 45kN Pos. 68–72, 77–79	579558 R
66	Getriebeflansch XL 45kN	Gear flange XL 45kN	Flasque d'engrenage XL 45kN	Flangia del ingranaggio XL 45kN	579543 ROH
67	PT-Linsenschraube	PT fillister head screw	Vis tête fraisée bombée PT	PT vite a testa svasata con perno	083048
—	Pumpenkolben kompl. Akku-Press XL 45kN Pos. 73–76	Pump piston compl. Akku-Press XL 45kN Pos. 73–76	Piston de pompe compl. Akku-Press XL 45kN Pos. 73–76	Pistone a pompa compl. Akku-Press XL 45kN Pos. 73–76	579559 R
—	Schalter Akku-Press XL 45kN Pos. 85–86, 81	Switch Akku-Press XL 45kN Pos. 85–86, 81	Interrupteur Akku-Press XL 45kN Pos. 85–86, 81	Interruttore Akku-Press XL 45kN Pos. 85–86, 81	579538 R22
80	Taste	Button	Bouton	Pulsante	576148 ROH
—	Gehäuseschalen Li-Ion, Paar Akku-Press XL 45kN Pos. 82–83	Housing shells Li-Ion, pair Akku-Press XL 45kN Pos. 82–83	Coquille carcasse Li-Ion, paire Akku-Press XL 45kN Pos. 82–83	Calotta carcassa Li-Ion, paio Akku-Press XL 45kN Pos. 82–83	579532 R
84	Blechschrabe	Sheet metal screw	Vis à tôle	Vite da lamiera	083064
87	Akku-Li-Ion 21,6V, 5,0Ah	Battery Li-Ion 21.6V, 5.0Ah	Accu Li-Ion 21,6V, 5,0Ah	Batteria Li-Ion 21,6V, 5,0Ah	571581 R22
88	Knopf	Button	Bouton	Pulsante	571254 PLX